

Product Display

More economical, more functional extension.



Elegant appearance,
soft lighting.



SINGLE T5 INTEGRATED LIGHT

OEM & ODM & PATENT DESIGN

Unique Patent Design

Single T5 Integrated Light The high-efficacy light engine delivers long life and excellent color, ensuring a superior quality lighting. Bars are connectable with optional connecting cord or connector.

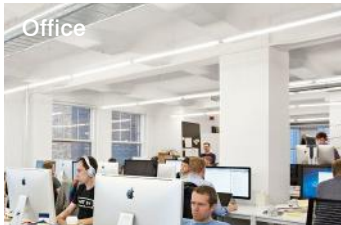


Single T5 Integrated Light

1. length:2ft,3ft,4ft,5ft,6ft,8ft
2. PF>0.9
3. THD<20%
4. 50,000H
5. Input Voltage:
AC 120V/120-277V/120-347V/100-240V 50/60Hz



Lighting Case



Specification.1

MODEL	SIZE	POWER	MATERIAL	CCT	CRI	PACKAGE
LY-T5DL300-4W	1ft	4W	AL+PC	3000K/4000K 5000K/6000K	>80	490x175x230(mm) 25pc/ctn
LY-T5DL600-7W	2ft	7W				780x175x230(mm) 25pc/ctn
LY-T5DL900-12W	3ft	12W				1085x175x230(mm) 25pc/ctn
LY-T5DL1200-15W	4ft	15W				1390x175x230(mm) 25pc/ctn
LY-T5DL1500-20W	5ft	20W				1690x175x230(mm) 25pc/ctn
LY-T5DL1800-22W	6ft	22W				1955x175x190(mm) 20pc/ctn
LY-T5DL2400-30W	8ft	30W				2565x175x145(mm) 15pc/ctn

TEL / 86-0760-22182786

LONYUNG

LONYUNG LED LIGHTING CO.,LTD

WWW.LONYUNG.COM

SINGLE T5 INTEGRATED LIGHT

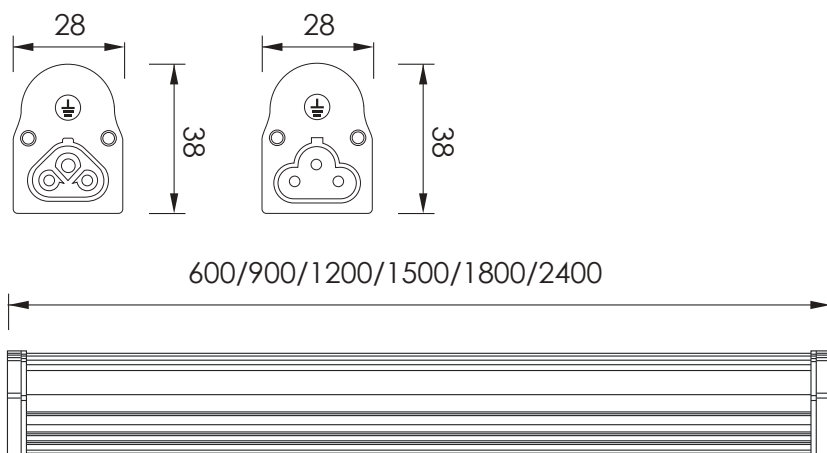
OEM & ODM & PATENT DESIGN

Specification. 2

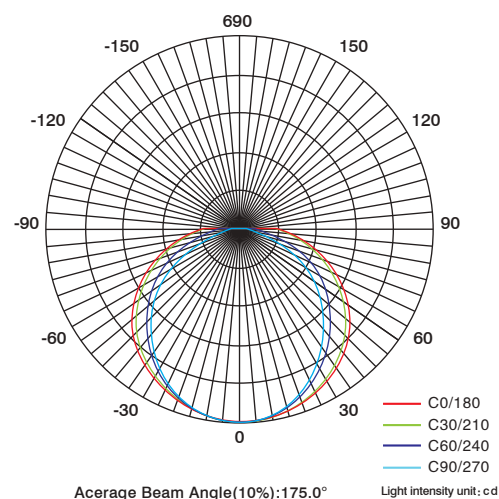
Model	Pc Cover	Luminous Flux(Lm) ±10%			Pc Cover	Luminous Flux(Lm) ±10%		
		WW2700-3200K	NW4000-4500K	CW6000-6500K		WW2700-3200K	NW4000-4500K	CW6000-6500K
LY-T5DL300-4W	Frosted	430	435	440	Clear	510	515	520
LY-T5DL600-7W	Frosted	750	760	770	Clear	890	900	910
LY-T5DL900-12W	Frosted	1290	1300	1320	Clear	1530	1550	1560
LY-T5DL1200-15W	Frosted	1620	1630	1650	Clear	1920	1930	1950
LY-T5DL1500-20W	Frosted	2160	2180	2200	Clear	2560	2580	2600
LY-T5DL1800-22W	Frosted	2370	2400	2420	Clear	2810	2840	2860
LY-T5DL2400-30W	Frosted	3240	3270	3300	Clear	3840	3870	3900

Product line drawing

Size:(mm)

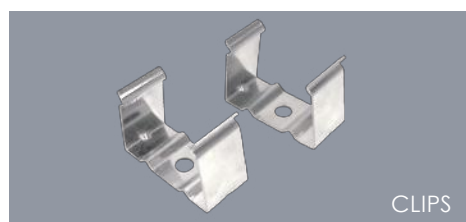
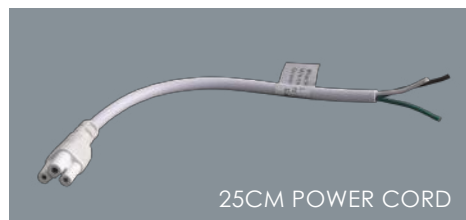


Light distribution curve



Standard Accessories

Length for power cord or connection cable can be Customized.



SINGLE T5 INTEGRATED LIGHT

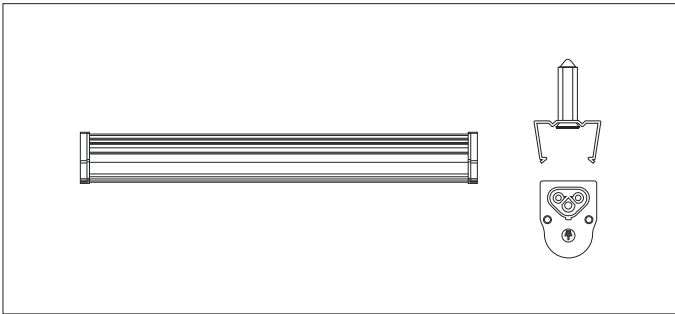
OEM & ODM & PATENT DESIGN

Steps of installation

- To avoid electric shock, maintenance and installation should only be carried out by a professional electrician
- Before installation, turn off the power to make sure safety
- The integrated tubes can be connected less than total 200W
- Follow the diagram for below for proper installation

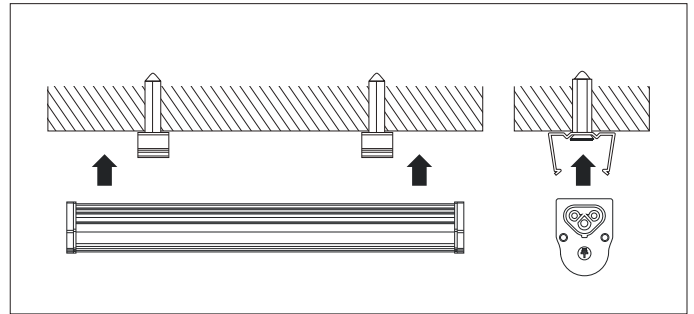
STEP1.

Place the clip kit and screws correctly



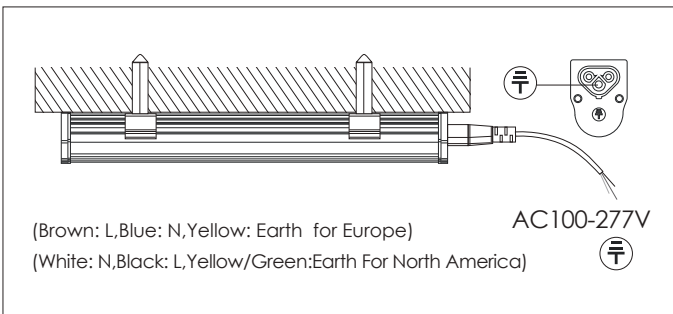
STEP2.

Fix the LED tube to the ceiling or wall



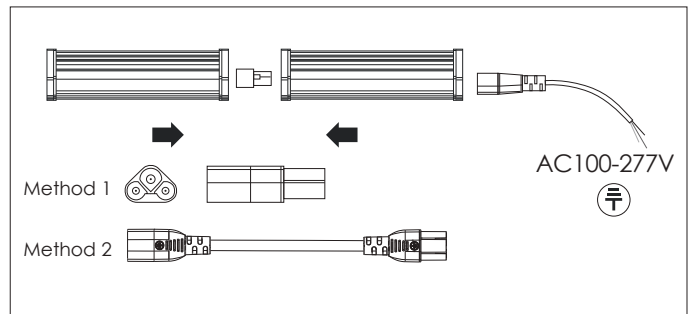
STEP3.

Connect the power cord to the integrated tube

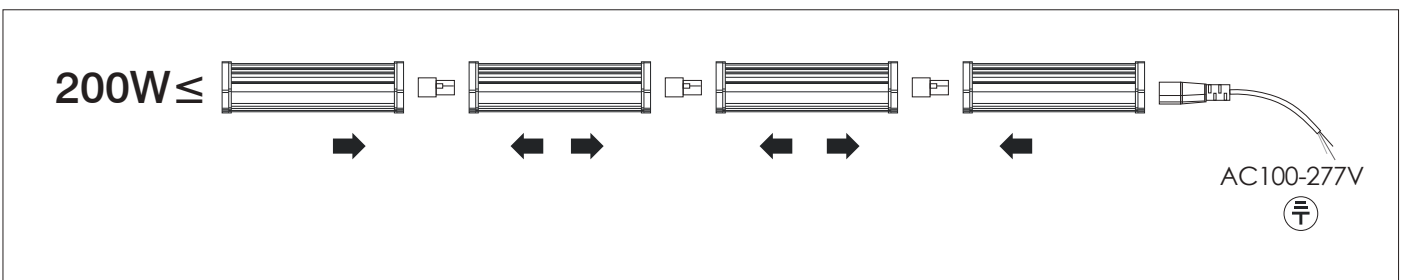


STEP4.

Connect up by linkable connector, done.



Caution: The integrated tubes can be connected less than total 200W



⚠ WARNING

- Disconnect power before installation, must be installed by licensed electrician.
- Please use it under correct input power range.
- This tube is non-dimmable.
- Do not use in the outdoor environment.
- Do not use or do not using, if the product does not operate properly, check connections after the power is turned off, in case of failure replace the fixtures.